

F57SP-6 / F57SP-8

CENTRE CHANNEL

FYNE ADVICE

ESSENTIAL INFORMATION GUIDE



FYNE
AUDIO

TABLE OF CONTENTS

1. Introduction
2. Safety
3. Accessories
4. Positioning
5. Boundary Switch Operation
6. Connecting Speaker Cables
7. Grilles
8. Cabinet Care
9. Warranty
10. Specifications

1 INTRODUCTION

Thank you for choosing these dedicated Fyne Audio centre channel loudspeakers, proudly designed by our experienced team of engineers and constructed to the highest standards by artisans in our own facility in Scotland. We believe they will give you many years of listening pleasure.

2 SAFETY



For safety reasons, and to ensure you achieve the best performance possible, please fully read this document before installing these loudspeakers.

To prevent injury or damage when unpacking the loudspeakers, please do **not** use the protective bag to lift them in case it tears. If possible retain packaging for future use.

These speakers must always be connected to a suitable amplifier and never to a mains supply.

Ensure your amplifier is switched off before making connections, to avoid damage.

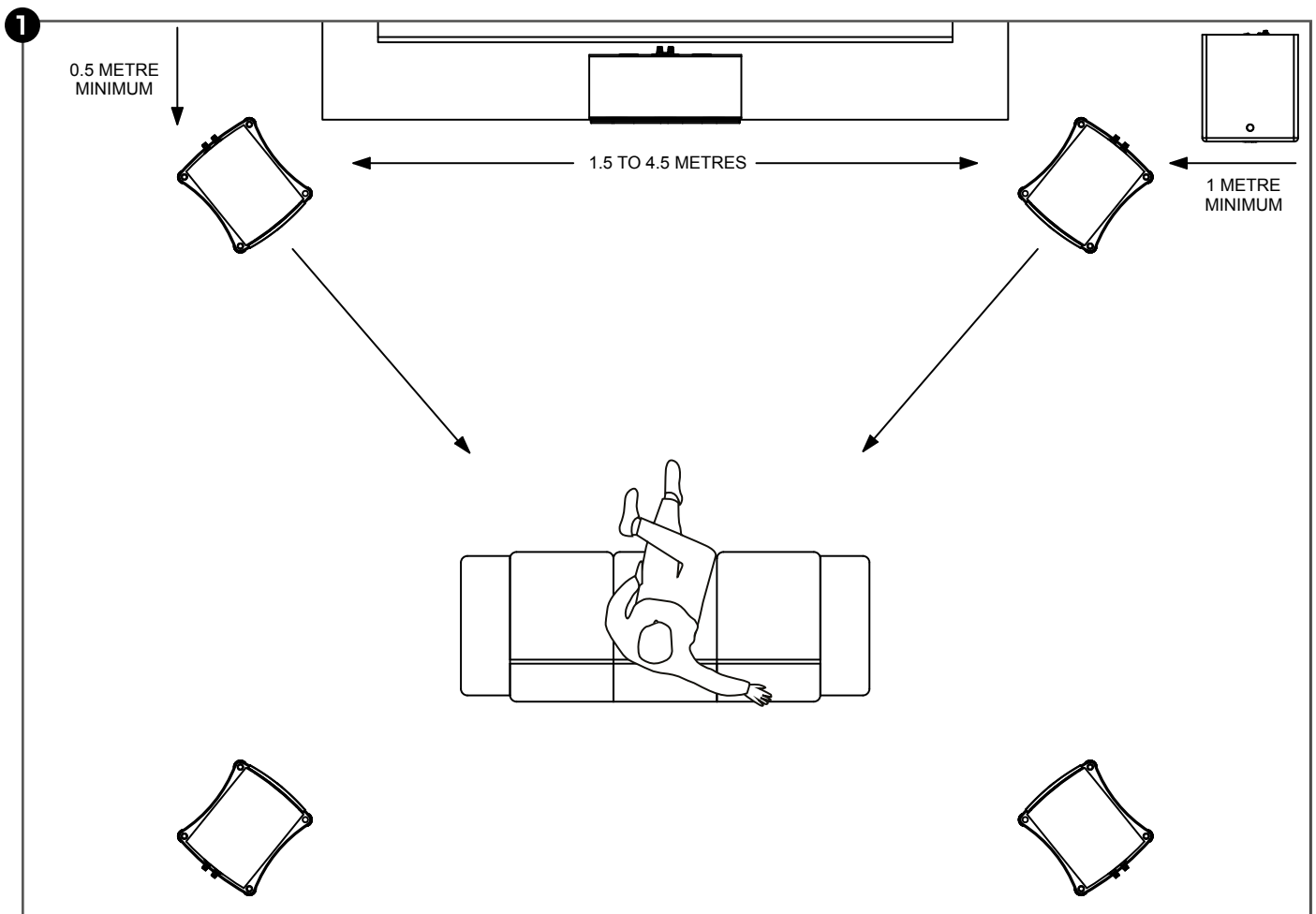
3 ACCESSORIES

- 4 x self-adhesive feet.
They may be applied underneath the enclosure, to prevent damage to the surface beneath.

4 POSITIONING

The main front speakers should be positioned as for 2 channel operation, with the centre speaker equidistant between them and in the same plane, ideally at ear level (See **Fig. 1**).

When incorporating a subwoofer, please refer to the instructions provided with it.



5 BOUNDARY SWITCH OPERATION

The terminal panel on the rear of the loudspeaker incorporates a switch to optimise low frequency alignment according to positioning. This works by varying the amount of electromagnetic damping applied to the ABR (Auxiliary Bass Radiator). Under normal positioning as

described under Section 4 (above), it should be set to the 'Free Space' position. If the centre channel has to be placed right against the rear wall, the switch should be set to 'Boundary', to compensate for the associated bass reinforcement.

6 CONNECTING SPEAKER CABLES

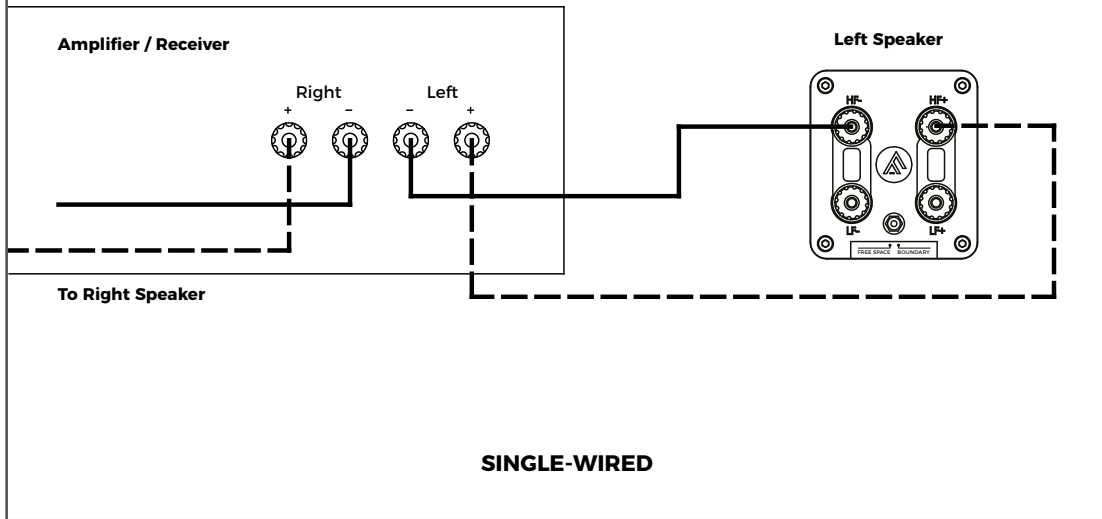
Your dealer will be able to advise on the most suitable choice of cables for your budget and system, to obtain the best performance.

Bare wire connections may be made by unscrewing the terminal, and making use of the hole in the threaded post. Alternatively, dedicated 4mm plugs may be purchased, or are already fitted to terminated cable sets.

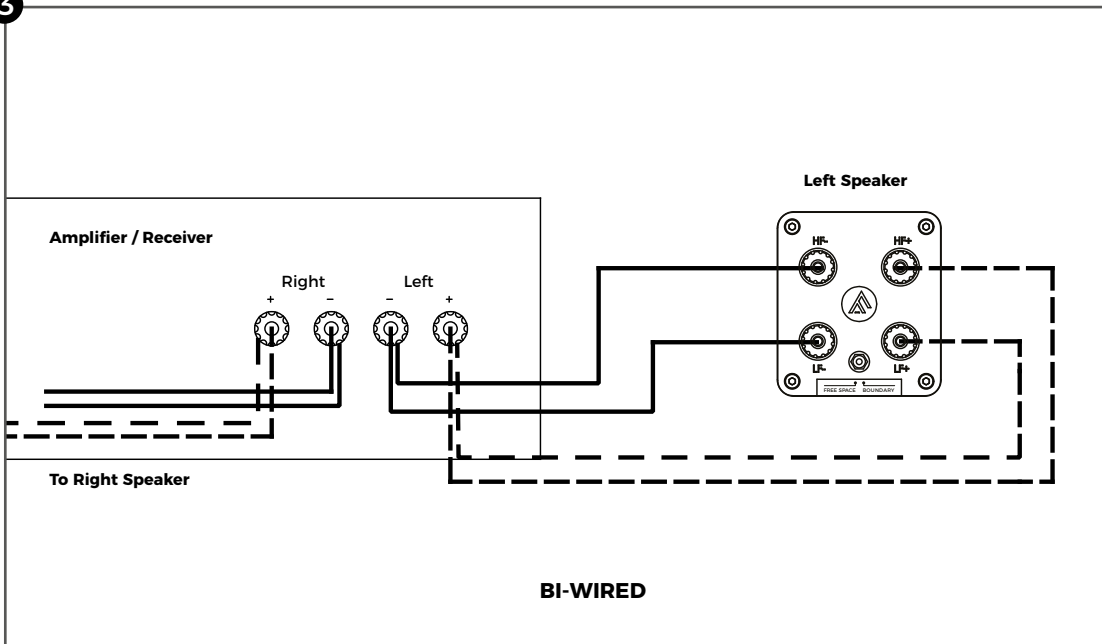
Ensure connections are made positive to positive and negative to negative between the speaker and the amplifier.

All models are provided with two sets of terminals one for the HF and one for the LF. When using a single cable wire as shown, keeping the link bars in place (**Fig. 2**). For bi-wire operation remove the link bars, and wire with two sets of cable or a dedicated bi-wire cable (**Fig. 3**). This option will ensure the best possible sound quality.

2



3



7 GRILLES

Although the magnetically attached grilles are designed for maximum transparency, we always recommend removal for the best possible sound quality.

8 CABINET CARE

The cabinet may be cleaned with a microfiber cloth. Avoid exposure to extremes of heat, humidity and direct sunlight for extended periods of time.

On no account use solvents or abrasive materials, as this will cause damage and invalidate the warranty.

9 WARRANTY

1. No maintenance of the loudspeaker is necessary.
2. Please register your Fyne Audio Limited product online at www.fyneaudio.com. All of our products have been produced and tested with care and precision to give first-class service.
3. All passive loudspeakers are guaranteed for a period of 7 years from the date of purchase from an authorised Fyne Audio Limited dealer. This warranty is subject to the absence or evidence of misuse, overload, or accidental damage, applies only to the original registered owner, it is non transferable, and covers only genuine Fyne Audio Limited products with the original undamaged serial number and proof of purchase.
4. All active and electronic components are guaranteed for a period of 2 years from the date of purchase from an authorised Fyne Audio Limited dealer subject to the absence of, or evidence of, misuse, overload or accidental damage.
5. If at any time during this warranty period the equipment proves to be defective for any reason other than accident, misuse, neglect, unauthorised modification, incorrect installation or connection, matched with improper equipment or fair wear and tear, we will repair any such manufacturing defect or, at our option, replace it without charge for labour, parts or return carriage.
6. If you suspect a problem with a Fyne Audio Limited product, in the first instance, discuss it with your Fyne Audio Limited dealer. If you require further assistance, then we ask that you deal directly with your local Fyne Audio Limited distributor. If you cannot locate your distributor please contact Fyne Audio Limited Customer Services, via our website listed above or at the e-mail enquiries@fyneaudio.com
7. Do not ship any product to Fyne Audio Limited without previous authorisation.

8. LIABILITY

Other than the warranty and services set out in this warranty, to the fullest extent permitted by law, Fyne Audio Limited and its Authorised Distributors shall not be liable to you and/or any third party or entity whatsoever for:- any loss, damages and/or malfunction caused to any product(s) which is/are connected to any of the Fyne Audio Limited products any damages, loss and liability (except for any personal injuries or death), whether direct, indirect, incidental, consequential special, punitive or otherwise, howsoever caused by, arising out of, or otherwise in relation to the installation, delivery, use, service, repair, replacement and/or maintenance of the Fyne Audio Limited product; or any damages, loss and liability (except for any personal injuries or death) under this warranty in respect of any act, omission, or negligence of any of their technicians, employees, agents, representatives or independent contractors relating to the actual or purported performance of any of the obligations under this warranty.

9. Without limiting the above, the maximum liability of the Fyne Audio Limited and its Authorised Distributors under this warranty shall not in any event or under any circumstances exceed the actual purchase price paid for the Fyne Audio Limited product(s).

This information was correct at the time of print, for our most recent products and information visit www.fyneaudio.com

10 SPECIFICATIONS

Model	F57SP-6	F57SP-8
System type	2 ½ way with adjustably damped ABR	2 ½ way with adjustably damped ABR
Recommended amplifier power (Watt RMS)	30- 180	30- 200
Continuous power handling (Watt RMS)	80	100
Peak power handling (Watt RMS)	360	400
Sensitivity (2.83 Volt @ 1m) 91dB		92dB
Nominal impedance	8 Ohm	8 Ohm
Frequency response (-6dB typical in room)	47Hz- 34kHz	42Hz- 34kHz
Drive unit complement	1 x 150mm IsoFlare™, point source driver, multi-fibre bass/ midrange cone, FyneFlute™ surround with 25mm magnesium dome compression tweeter, neodymium magnet system 1 x 150mm bass driver, multi-fibre cone, FyneFlute™ surround 1 x 150mm ABR, multi-fibre cone, multi-fibre cone, FyneFlute™ surround. Electromagnetically damped with free space and boundary settings	1 x 200mm IsoFlare™, point source driver, multi-fibre bass/ midrange cone, FyneFlute™ surround with 25mm magnesium dome compression tweeter, neodymium magnet system 1 x 200mm bass driver, multi-fibre cone, FyneFlute™ surround 1 x 200mm ABR, multi-fibre cone, multi-fibre cone, FyneFlute™ surround. Electromagnetically damped with free space and boundary settings
Crossover frequency	250Hz & 1.7kHz	250Hz & 1.7kHz
Crossover type	Bi-wired passive low loss, 2nd order low pass, 1st order high pass	Bi-wired passive low loss, 2nd order low pass, 1st order high pass
Cabinet construction	Pressed high density MDF, internally braced	Pressed high density MDF, internally braced
Dimensions inc terminals and grille - HxWxD	210 x 600 x 250mm (8.3 x 23.6 x 9.8")	270 x 760 x 340mm (10.6 x 29.9 x 13.4")
Weight	15.2kg (33.5lbs)	19.8kg (43.7lbs)

This information was correct at the time of print, for our most recent products and information visit www.fyneaudio.com

Thank you for choosing Fyne Audio loudspeakers, proudly designed by our experienced engineers and manufactured to exacting standards by our craftsmen in Scotland.

WWW.FYNEAUDIO.COM

f FYNEAUDIO

X @FyneAudio

F6480.0022

1 September 2025