

FS8 STAND

FYNE ADVICE

ESSENTIAL INFORMATION GUIDE



FYNE
AUDIO

1 INTRODUCTION

Thank you for choosing the Fyne Audio FyneStand FS8 loudspeaker stand, proudly designed by our experienced team of engineers and constructed to the highest standards by our facility in Scotland. We believe they will give you many years of listening pleasure.

These stands are specifically designed for use with our compatible loudspeakers, but may be used with other suitably sized models.

2 SAFETY



For safety reasons, and to ensure you achieve the best performance possible, please fully read this document before installing these loudspeaker stands.

To prevent injury or damage when unpacking the loudspeaker stands, please do **not** use the protective bag to lift them in case it tears. If possible retain packaging for future use.

The spikes are very sharp - take care to avoid personal injury.

3 ACCESSORIES BOX CONTENTS

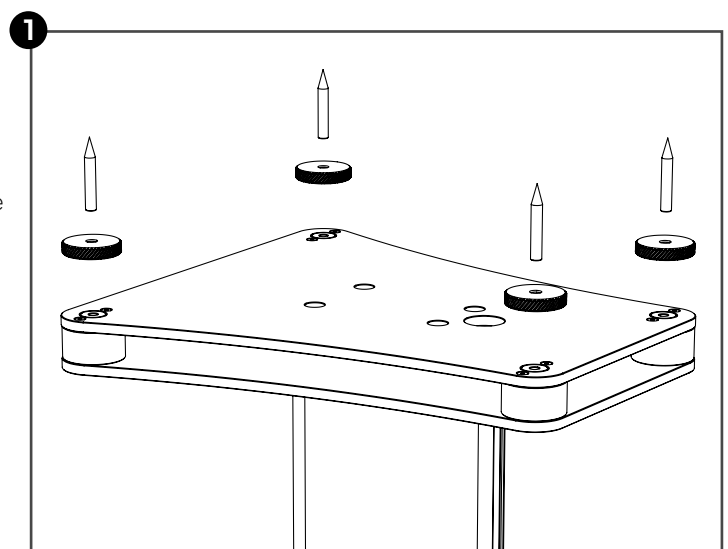
Check the contents of the accessories box as follows:

- HEX key
- M6 x 12 bolts x 8
- M6 spring washers x 8
- Carpet spikes x 8
- Adjustment thumb wheels x 8
- Spike cups x 8

4 SPIKE FITTING

Thread the 4 carpet spikes and adjustment thumb wheels to the inserts in the plinths of each loudspeaker. They can be adjusted from above once the stand is in place using the HEX key provided, to ensure it is stable and level (Fig 1).

On wooden or other delicate floors, use the spike cups provided to prevent damage to the surface.



5 MASS LOADING

For optimum bass performance, we recommend filling the central column of the stand with either kiln dried sand or a propriety high mass loading material such as Atabites.

Using a suitable funnel, fill the central column through the hole in the top plate. We recommend half filling the central column initially, then listening to the loudspeakers in their intended position. If a drier and more controlled bass is desired, increase the amount of filling.

6 CABLE MANAGEMENT

A channel is provided at the back of the central column to run the loudspeaker cable if desired (Fig 2). Note that some very heavy cables may not be suitable and it may be necessary to remove the connectors first.

7 MOUNTING LOUDSPEAKER TO TOP PLATE

On the F701 and F1-8 loudspeakers, threaded holes are provided in the bottom of the loudspeaker for bolting to the stand, using the M6 x 12 bolts and spring washers provided (Fig 3). Use the HEX key, taking care not to over-tighten.

If used with other loudspeakers, please ensure the loudspeaker is adequately secured to the stand.

8 CARE

The stand may be cleaned with a microfibre cloth, which may be used damp to remove marks. Never use solvents or abrasive materials, as this will cause damage and invalidate the warranty.

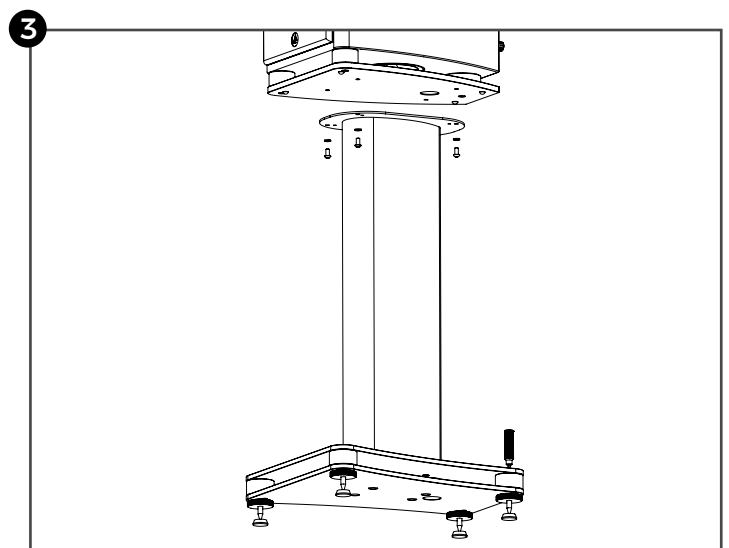
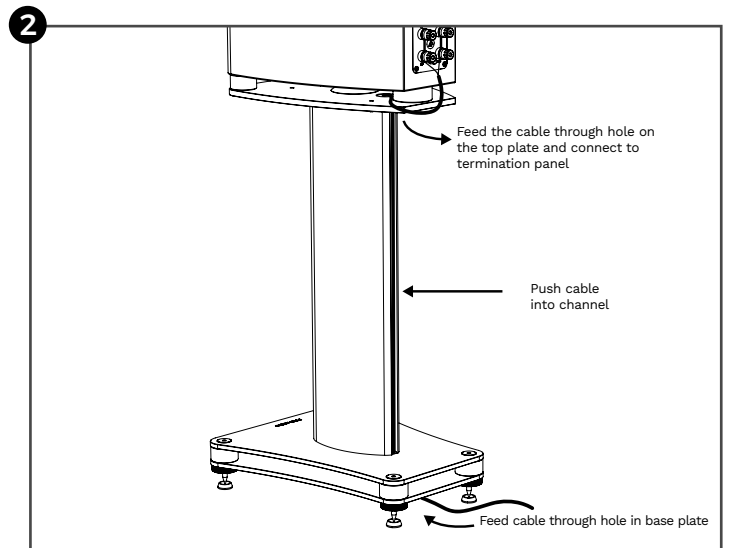
9 SPECIFICATIONS

Height - excluding spikes: 644mm (25.4")

Top plate dimensions - W x D: 160mm x 250mm (6.3 x 9.8")

Base plate dimensions - W x D: 348mm x 400mm (13.7 x 15.7")

This information was correct at the time of print, for our most recent products and information visit www.fyneaudio.com



10 WARRANTY

1. No maintenance of the loudspeaker is necessary.
2. Please register your Fyne Audio Limited product online at www.fyneaudio.com. All of our products have been produced and tested with care and precision to give first-class service.
3. All passive loudspeakers are guaranteed for a period of 7 years from the date of purchase from an authorised Fyne Audio Limited dealer. This warranty is subject to the absence or evidence of misuse, overload, or accidental damage, applies only to the original registered owner, it is non transferable, and covers only genuine Fyne Audio Limited products with the original undamaged serial number and proof of purchase.
4. All active and electronic components are guaranteed for a period of 2 years from the date of purchase from an authorised Fyne Audio Limited dealer subject to the absence of, or evidence of, misuse, overload or accidental damage.
5. If at any time during this warranty period the equipment proves to be defective for any reason other than accident, misuse, neglect, unauthorised modification, incorrect installation or connection, matched with improper equipment or fair wear and tear, we will repair any such manufacturing defect or, at our option, replace it without charge for labour, parts or return carriage.
6. If you suspect a problem with a Fyne Audio Limited product, in the first instance, discuss it with your Fyne Audio Limited dealer. If you require further assistance, then we ask that you deal directly with your local Fyne Audio Limited distributor. If you cannot locate your distributor please contact Fyne Audio Limited Customer Services, via our website listed above or at the e-mail enquiries@fyneaudio.com
7. Do not ship any product to Fyne Audio Limited without previous authorisation.
8. **LIABILITY**
Other than the warranty and services set out in this warranty, to the fullest extent permitted by law, Fyne Audio Limited and its Authorised Distributors shall not be liable to you and/or any third party or entity whatsoever for:- any loss, damages and/or malfunction caused to any product(s) which is/are connected to any of the Fyne Audio Limited products any damages, loss and liability (except for any personal injuries or death), whether direct, indirect, incidental, consequential special, punitive or otherwise, howsoever caused by, arising out of, or otherwise in relation to the installation, delivery, use, service, repair, replacement and/or maintenance of the Fyne Audio Limited product; or any damages, loss and liability (except for any personal injuries or death) under this warranty in respect of any act, omission, or negligence of any of their technicians, employees, agents, representatives or independent contractors relating to the actual or purported performance of any of the obligations under this warranty.
9. Without limiting the above, the maximum liability of the Fyne Audio Limited and its Authorised Distributors under this warranty shall not in any event or under any circumstances exceed the actual purchase price paid for the Fyne Audio Limited product(s).

8 February 2022

F6480 0011



Designed and Manufactured in the UK

WWW.FYNEAUDIO.COM